



Subscribe to Caron Connections, our free e-newsletter.

Enter your e-mail address

[yarn](#) [free projects](#) [where to buy](#) [links](#) [learning](#) [contact us](#) [caron connections](#) [news](#) [latch hook](#)

**Caron Yarns**

**Simply Soft®**

- Simply Soft® Baby
- Simply Soft® Brites
- Simply Soft® Eco **NEW**
- Simply Soft® Heather
- Simply Soft® Paints
- Simply Soft® Quick
- Simply Soft® Tweed
- Simply Soft® Shadows

**Bliss**

**Craft & Rug Yarn**

**Natura®**

**One Pound**

**Wintuk®**



Check out our newest yarns!

**Caron Latch Hook Kits**

**The Simpsons™ **NEW****

**Shaggy**

**Caron® Classics**

**Natura®**

**WonderArt®**

**Krafty Kids™**

**Christmas designs**



Buy all your favorite Caron products online

# Lace Stitch Cami & Skirt

with

# SIMPLY SOFT

designed by **Kathy Perry**  
**TECHNIQUE USED:** Knit



**CAMI INSTRUCTIONS** | [\[click for SKIRT INSTRUCTIONS\]](#)

**SIZES:** X-Small (Small, Medium, Large, X-Large)

**KNITTED MEASUREMENTS**

Bust 32 (36, 40, 44, 48)"/81 (91.5, 101.5, 112, 122) cm  
Length 19 (20, 20 1/2, 21, 22)"/48 (51, 52, 53.5, 56) cm

**MATERIALS**

[shop online](#)

[Caron International's Simply Soft](#) (100% acrylic; 6 oz/170 g, 315 yds/288 m):

#9742 Grey Heather, 12 (12, 18, 18, 24) oz

One pair size US 8 (5 mm) needles or size to obtain gauge

Crochet hook size US size H-8 (5 mm)

Yarn needle

5 buttons

Row counter

Beads with large holes

Beading needle and thread

**GAUGE**



[Click to enlarge image](#)

[schematics](#) | [chart](#)

[Printer Friendly PDF](#)



In St st, 18 sts and 24 rows = 4"/10 cm

In Eyelet patt, 16 sts and 22 rows = 4"/10 cm

### SPECIAL ABBREVIATIONS

**dcd (double centered decrease):** Slip 2 sts together, knitwise to right-hand needle, k1, pass 2 slipped sts over knit-st.

**k1-f/b (increase):** Knit next st, then knit it through the back loop.

**k2tog (decrease):** Knit 2 sts together through the front loops on RS.

**p2tog (decrease):** Purl 2 sts together through the front loops on WS.

**ssk (decrease):** Slip 2 sts, one at a time, knitwise to right-hand needle, return sts to left-hand needle in turned position and knit them together through the back loops on RS.

**ssp (decrease):** Slip 2 sts, one at a time, knitwise to right-hand needle, return sts to left-hand needle in turned position and purl them together through the back loops on WS.

**yo (eyelet increase):** With the yarn in the knit position, bring it to the front between the needles, to the purl position, then carry it over the needle, ready to knit the next stitch.

### KNIT STITCHES USED

**Garter stitch (Garter st):** Knit all sts every row.

**Stockinette stitch (St st):** Knit on RS, purl on WS.

**Eyelet Pattern (Multiple of 8 sts + 3)**

**Also see Chart.**

**Row 1:** K2, \*k2tog, k1, yo, k1, yo, k1, ssk, k1; rep from \* across to last st, k1.

**Row 2 and all WS rows:** Purl.

**Row 3:** K1, k2tog, \*k1, yo, k3, yo, k1 +, dcd; rep from \* across to last 3 sts, ending last rep at +, ssk, k1.

**Rows 5, 9, 11 and 13:** Knit.

**Row 7:** K5, \*yo, ssk, k6; rep from \* across, end last rep k4 instead of k6.

**Row 14:** Purl.

Rep Rows 1 – 14 for Eyelet patt.

### CROCHET STITCHES USED

**Chain (ch)**

**Single Crochet (sc):** Insert hook in st indicated, yarn over and pull up a loop, yarn over and draw through both loops on hook.

**Slip Stitch (slip st):** Insert hook in the st indicated, yarn over and draw through both the st and the loop on the hook.

**Picot Edging (multiple of 2 sts + 1)**

Using crochet hook, join yarn with a slip st at seam.

**Row 1:** Ch 1, sc evenly around, join with a slip st in first st.

**Row 2:** Ch 1, sc in first sc, \*ch 3, skip 1 sc, sc in next sc; rep from \* around, end ch 3, join with a slip st in first st. Fasten off.

### NOTE

While working shaping in Eyelet patt, keep 1 st in St st at each side throughout; do not work eyelets (yarn over - inc) without a compensating dec (ssk, k2tog dcd); work sts in St st until enough sts have been inc'd to work the Eyelet sts.

**BACK**

Cast on 102 (118, 134, 150, 166) sts.

**Ruffle**

(RS) Beg Garter st; work even for 2 rows, end with a WS row.

(RS) Change to St st; work even until piece measures 4" from beg, end with a WS row.

**Shape Waist**

(RS) \*K2tog; rep from \* across—51 (59, 67, 75, 83) sts rem.

(WS) Cont in St st, work even for 1 row.

**Bodice**

(RS) Change to Eyelet patt; work even for 6 rows, end with a WS row.

**Shape Sides**

(RS) Beg this row, inc 1 st each side then every 4 rows 7 times total as follows, working inc sts in patt as they become available: K1-f/b, work across to last 2 sts, k1-f/b, k1—65 (73, 81, 89, 97) sts.

Work even until piece measures 8 (8 1/2, 8 1/2, 8 1/2, 9)" from beg of Bodice, end with a WS row.

**Shape Armholes**

(RS) Bind off 4 (5, 6, 7, 8) sts at beg of next 2 rows—57 (63, 69, 75, 81) sts rem

(RS) Dec 1 st each side every other row 4 (5, 7, 8, 9) times—49 (53, 55, 59, 63) sts rem.

Work even until armhole measures 6 (6 1/2, 7, 7 1/2, 8)" from beg of shaping, end with a WS row. Place a marker (pm) each side of center 19 (21, 21, 23, 25) sts.

**Shape Neck and Shoulders**

Work across to first marker; join a second ball of yarn and bind off center sts; work to end—15 (16, 17, 18, 19) sts rem each side. Working both sides at the same time, at each neck edge, dec 1 st every row 4 times—11 (12, 13, 14, 15) sts rem each shoulder.

Work even until armhole measures 7 (7 1/2, 8, 8 1/2, 9)" from beg of shaping. Bind off rem sts.

**LEFT FRONT**

Cast on 54 (62, 70, 78, 86) sts.

**Ruffle**

(RS) Beg Garter st; work even for 2 rows, end with a WS row.

(RS) Change to St st; work even until piece measures 4" from beg, end with a WS row.

**Shape Waist**

(RS) \*K2tog; rep from \* across—27 (31, 35, 39, 43) sts rem.

(WS) Conti in St st, work even for 1 row.

**Bodice – Establish Pattern**

**Row 1 (RS)** K2, \*k2tog, k1, yo, k1, yo, k1, ssk, k1; rep from \* 2 (2, 3, 3, 4) more times, end k0 (4, 0, 4, 0), then k1 at center Front edge.

Cont as established, work even for 6 rows, end with a WS row.

**Shape Sides**

(RS) Beg this row, inc 1 st at armhole edge (beg of RS rows) every 4 rows 7 times as follows, working inc'd sts in patt as they become available: K1-f/b, work to end—34 (38, 42, 46, 50) sts.

Work even until piece measures 8 (8 1/2, 8 1/2, 8 1/2, 9)" from beg of Bodice, end with a WS row.

#### **Shape Armhole and Neck**

(RS) At armhole edge, bind off 4 (5, 6, 7, 8) sts once, then dec 1 st every other row 4 (5, 7, 8, 9) times as for Back; AT THE SAME TIME, beg on first row of armhole shaping, at neck edge (end of RS rows, beg of WS rows) dec 1 st every 3 rows 13 (13, 13, 12, 12) times, then every other row 2 (3, 3, 5, 6) times as follows:

(RS) Work across to last 3 sts at neck edge, ssk, k1.

(WS) P1, ssp, work to end.

Work even on rem 11 (12, 13, 14, 15) sts each shoulder until armhole measures 7 (7 1/2, 8, 8 1/2, 9)" from beg of shaping. Bind off rem sts.

#### **RIGHT FRONT**

Cast on, work Ruffle and Waist shaping as for left Front—27 (31, 35, 39, 43) sts rem.

#### **Bodice – Establish Pattern**

(RS) At center Front edge, k1, then k0 (4, 0, 4), beg Eyelet patt and work to end.

Cont as est, work even for 6 rows, end with a WS row.

#### **Shape Sides**

Work incs as for left Front as follows:

(RS) Work across to last 2 sts, k1-f/b, k1—34 (38, 42, 46, 50) sts.

Work as for left Front to Armhole and Neck shaping

#### **Shape Armhole and Neck**

Work as for left Front, working first row of armhole shaping at beg of WS rows, rem decs at end of RS rows as for Back. Work neck shaping at beg of RS rows, end of WS rows as follows:

(RS) At neck edge, k1, k2tog, work to end.

(WS) Work across to last 3 sts at neck edge, p2tog, p1.

Work even on rem 11 (12, 13, 14, 15) sts each shoulder until armhole measures 7 (7 1/2, 8, 8 1/2, 9)" from beg of shaping. Bind off rem sts.

#### **FINISHING**

Sew shoulder and side seams. Pm for five buttonholes on right center Front above Ruffle first 1/2" above beg of Bodice, last at beg of neck shaping, rem 3 evenly spaced between.

#### **Front Edging:**

With RS facing, beg at lower right Front corner of Ruffle, using crochet hook, join yarn with a slip st to corner st.

**Row 1:** Ch 1, sc evenly up right center Front, along neck shaping Front and Back, and down left center Front to lower edge of Ruffle, turn.

**Row 2:** Ch 1, sc up left Front to beg of neck shaping; change to Picot Edging, work along neck shaping Front and Back, ending at right Front; change to sc, work down right center Front, working buttonholes opposite markers as follows: \*Sc to marker, [ch 2, skip 2 sc] for buttonhole; rep from \* 4 times, sc to end of Ruffle.

Fasten off.

**Armhole Edging:**

With RS facing, beg at underarm seam, using crochet hook, join yarn with a slip st to corner st.

**Row 1:** Ch 1, sc evenly around armhole edge, join with a slip st to first st, turn.

**Row 2:** Ch 1, work Picot Edging around, join with a slip st to first st.

Fasten off.

**Belt**

Using crochet hook and 2 strands of yarn held together, leaving a 12" tail at the beg (for beads), work a chain desired length for waist tie (see photo).

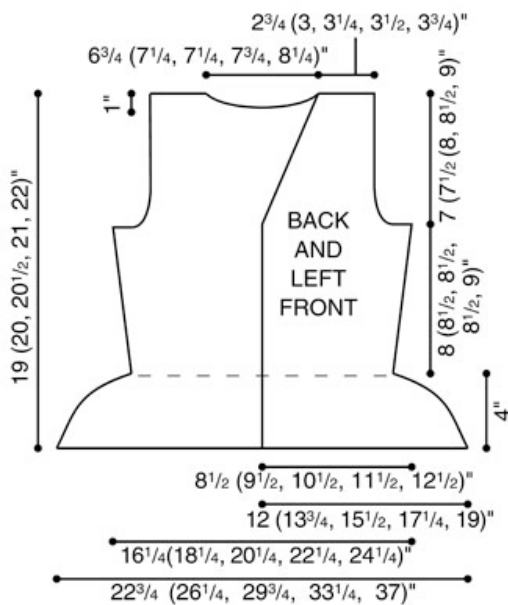
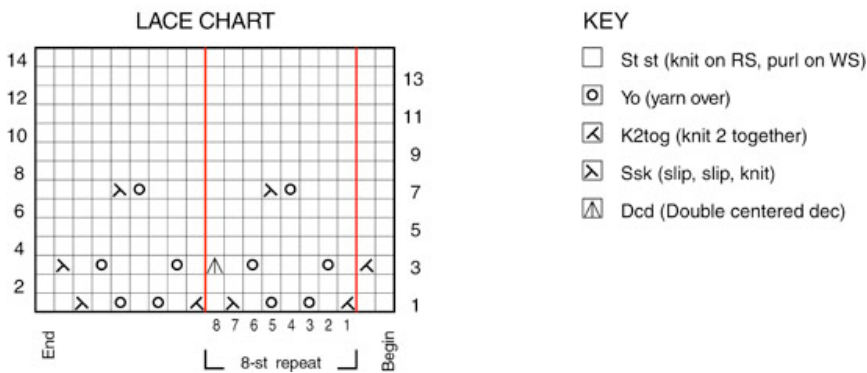
Fasten off, leaving a 12" tail. Thread Belt through the first row of Eyelets at waist (see photo).

Add beads to long tails, as desired, knotting the tail after each bead to secure bead.

**Optional**

Using sewing needle and thread, sew beads around neck edge, placing a bead in the center of each Picot.

Using yarn needle, weave in all ends. Sew buttons opposite buttonholes.



**SKIRT INSTRUCTIONS****SIZES:** Small (Medium, Large)**KNITTED MEASUREMENTS**

Waist (approx) 26 (28, 30)"/66 (71, 76) cm

Hips 36 (38, 40)"/81.5 (96.5, 101.5) cm

Skirt Length 32 (33, 34)"/81.5 (84, 86.5) cm

**MATERIALS**[shop online](#)Caron International's Simply Soft (100% acrylic; 6 oz/170 g, 315 yds/288 m):

#9742 Grey Heather, 18 oz

One pair US size 8 (5 mm) needles or size to obtain gauge

Crochet hook US size H-8 (5 mm)

Tapestry needle

Elastic – 1 yd. ¾" wide

**GAUGE**

In St st, 18 sts and 24 rows = 4"/10 cm

**STITCHES USED**

Stockinette stitch (St st)

Single crochet (sc)

**SKIRT FRONT & BACK** (make 2)

Cast on 101 (105, 110) sts.

**Shapes Sides:** Dec 1 st each side every 15 (16, 16) rows 9 times -- 83 (87, 92) sts. Work until piece measures 23 (24, 25)" from beg, end with a WS row.

Dec 1 st each side on next row, then every 9 rows 6 times -- 69 (73, 78) sts.

Cont until piece measures 32 (33, 34)" from beg or desired length.

**Waistline Casing:** Work even in St st for 7 rows, end with a RS row. Knit next row on WS for turning ridge. (RS) Knit next row knitting the sts through the back loops. Cont in St st for 7 rows.

Bind off loosely.

**FINISHING**

Block pieces to measurements.

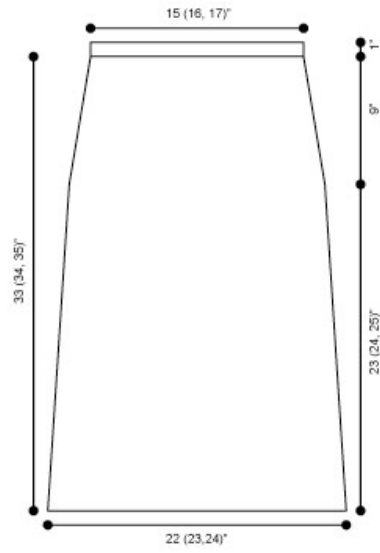
Whip stitch casings down. Sew one skirt side seam. Measure waist and cut a piece of elastic 1" larger. Thread elastic through casing overlapping ½".

Secure overlapped ends. Sew rem side seam.

Using crochet hook, work 1 row sc around bottom of skirt.

Using yarn needle, weave in ends.





|| Yarns || Free Projects || Where to Buy || Links || Learning || Contact Us || Caron Connections || News ||  
Latch Hook ||

Visit Bond America online

©2008 Caron International