



Subscribe to Caron Connections, our free e-newsletter.

Enter your e-mail address

[subscribe](#)

[yarn](#) [free projects](#) [where to buy](#) [links](#) [learning](#) [contact us](#) [caron connections](#) [news](#) [latch hook](#)

Caron Yarns

Simply Soft®

Simply Soft® Baby

Simply Soft® Brites

Simply Soft® Eco **NEW**

Simply Soft® Heather

Simply Soft® Paints

Simply Soft® Quick

Simply Soft® Tweed

Simply Soft® Shadows

Bliss

Craft & Rug Yarn

Natura®

One Pound

Wintuk®



Check out our newest yarns!

Caron Latch Hook Kits

The Simpsons™ **NEW**

Shaggy

Caron® Classics

Natura®

WonderArt®

Krafty Kids™

Christmas designs



Buy all your favorite Caron products online

Going in Circles Top

with

SIMPLY SOFT®

designed by Lisa Gentry

TECHNIQUE USED: Knit



SIZES

Child's 8 (10, 12).

FINISHED MEASUREMENTS

Chest slightly stretched: 26 (28, 30)"

Length 18 (19, 20)"

MATERIALS

[shop online](#)

Caron International's Simply Soft (100% acrylic; 6 oz/170 g, 315 yds/288 m skein):

#9722 Plum Wine (A), 2 (2, 3) skeins

#9702 Off-White (B), 1 oz

9742 Grey Heather (C), 1 oz

#9750 Chocolate (D), 1 oz

US 8 (5 mm) knitting needles.

US H-8 (5mm) crochet hook

Susan Bates Plastic Bone Rings 1 1/8": 14 pieces

Susan Bates Plastic Bone Rings 7/8": 14 pieces

Yarn needle

GAUGE



[click to enlarge image](#)

[schematic](#)

[Printer Friendly PDF](#)



17 sts and 24 rows in Basic pat = 4"/10 cm

STITCHES USED

Stockinette St: K on RS, p on WS

Basic Pattern (worked with a multiple of 10 sts)

Row 1 (RS): (P1, k) 2 times, p1, k5.

Row 2: (P1, k1) 2 times, p1, p5.

Repeat Rows 1 and 2 for patt.

Special Terms

Single crochet (sc)

BACK

With A, CO 61 (65, 71) sts.

Row 1 (RS): Work 3 (5, 3) sts in St st; 10-st Basic pat Row 1, 5 (5, 6) times; (p1, k1) 2 times, p1; 3 (5, 3) sts in St st – 61 (65, 71) sts.

Row 2: Work 3 (5) sts in St st; 10-st Basic pat Row 2, 5 (5, 6) times; (p1, k1) 2 times, p1; 3 (5, 3) sts in St st – 61 (65, 71) sts.

Repeat Rows 1 and 2 for patt until piece measures 11 ½ (12, 12 ½)" from beg, end with a WS row.

Shape armholes

BO 3 (3, 4) sts at beg of next 2 rows -- 55 (59, 63) sts. BO 1 st at beg of next 4 rows – 51 (55, 59) sts. Work until armhole measures 3", end with a WS row.

Shape neck

(RS) Work 20 (20, 21) sts, join another ball of yarn, bind off center 11 (15, 19) sts, work to end. Working both sides at same time, bind off at each neck edge 3 sts once, 2 sts 3 times, then 1 st 3 times -- 8 sts rem each side. Work even until armhole measures 6 ½ (7, 7 ½)", end with a WS row. BO.

FRONT

Work same as for Back until piece measures 11 ½ (12, 12 ½)" from beg, end with a WS row. Mark center 11 (15, 19) sts.

Shape armholes and neck

BO 3 (3, 4) sts at beg of next 2 rows, then BO 1 st at beg of next 4 rows *AT SAME TIME*, work to center 11 (15, 19) sts, join another ball of yarn, bind off center 11 (15, 19) sts, work to end. Working both sides at same time, BO at each neck edge 3 sts once, 2 sts 3 times, then 1 st 3 times -- 8 sts rem each side. Work even until armhole measures 6 ½ (7, 7 ½)". BO.

SLEEVES

With color A cast on 41 (45, 51) sts.

Row 1 (RS): Work 3 (5, 3) sts in St st; 10-st Basic pat Row 1, 3 (3, 4) times, (p1, k1) 2 times, p1; 3 (5, 3) sts in St st – 41 (45, 51) sts.

Row 2: Work 3 (5) sts in St st; 10-st Basic pat Row 2, 3 (3, 4) times; (p1, k1) 2 times, p1; 3 (5, 3) sts in St st – 41 (45, 51) sts.

Repeat Rows 1 and 2 for patt until piece measures 11 ½ (12, 12 ½)" from beg, end with a WS row.

Shape sleeves

Inc 1 st each edge every 6th row 3 times – 47 (51, 57) sts. Work even until piece measures 4 ½ (4 ¾, 5)" from beg, end with a WS row.

Shape cap

BO 2 sts at beg of next 8 rows, then dec 1 st at each edge every 2nd row 12 (13, 14) times. BO rem 7 (11, 15) sts.

CIRCLES

Small circles: Ch 2; work in 2nd ch from hook 12 sc, join with sl st in first sc. Fasten off.

Work foll amount of circles: color A (7); color B (5); color C (4); color D (8).

Medium circles: Join with sl st around smaller plastic ring, ch 1, work 16 sc around circle, join with sl st in beg ch. Fasten off.

Work foll amount of circles: color A (2), color B (4); color C (5); color D (4).

Large circles: Join with sl st around larger plastic ring, ch 1, work 20 sc around circle, join with sl st in beg ch. Fasten off.

Work foll amount of circles: Color A (2); color B (4); color C (4); color D (4).

FINISHING

Sew shoulder seams.

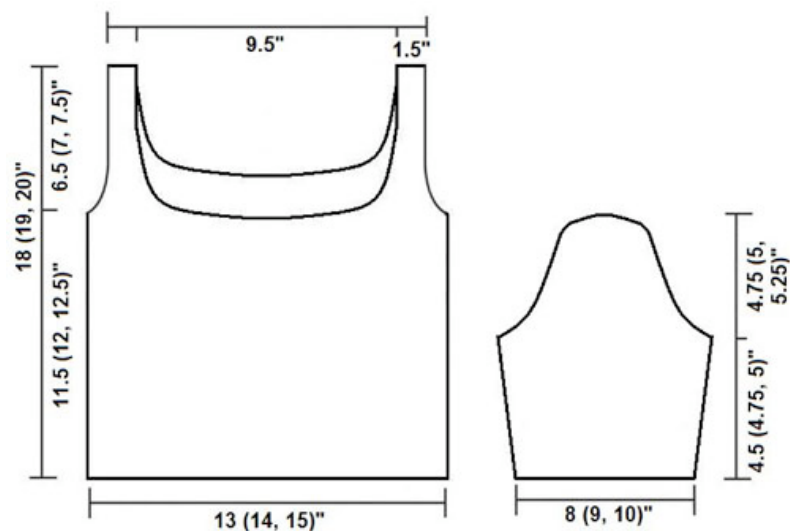
With crochet hook and color A, join with sl st in left shoulder seam. Ch 1, work 84 sc around front neck edge, work 54 sc around back neck edge, join with sl st in beg ch-1. Fasten off.

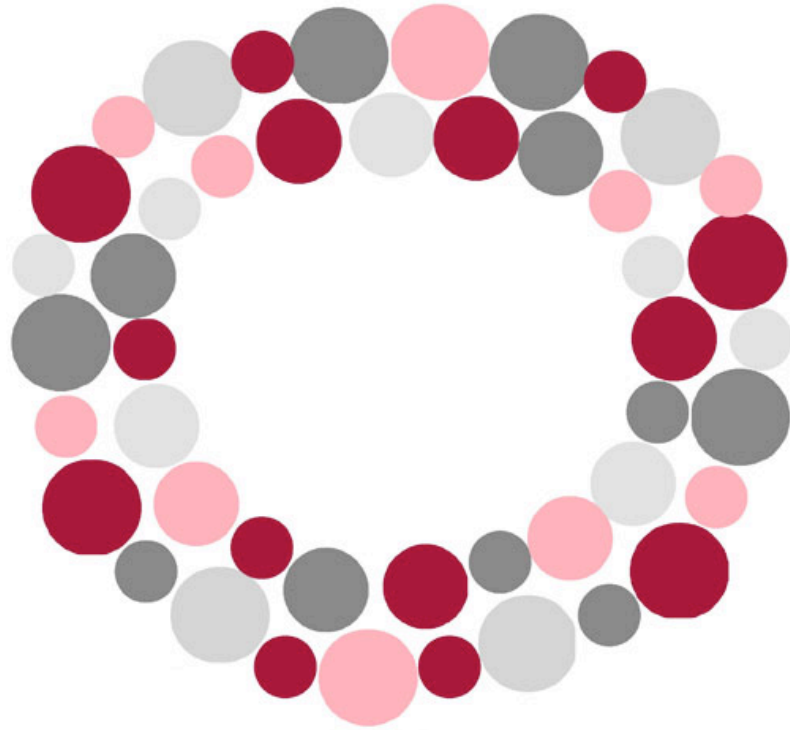
Sew on circles according to schematic. Sew side and sleeve seams. Set in sleeves.

TIE BELT

With 3 strands of yarn in colors A, B, and C held together, work a 37 (39, 41) inches long tie.

Sew on rem circles according to picture.





|| Yarns || Free Projects || Where to Buy || Links || Learning || Contact Us || Caron Connections || News ||
Latch Hook ||

Visit Bond America online

©2008 Caron International